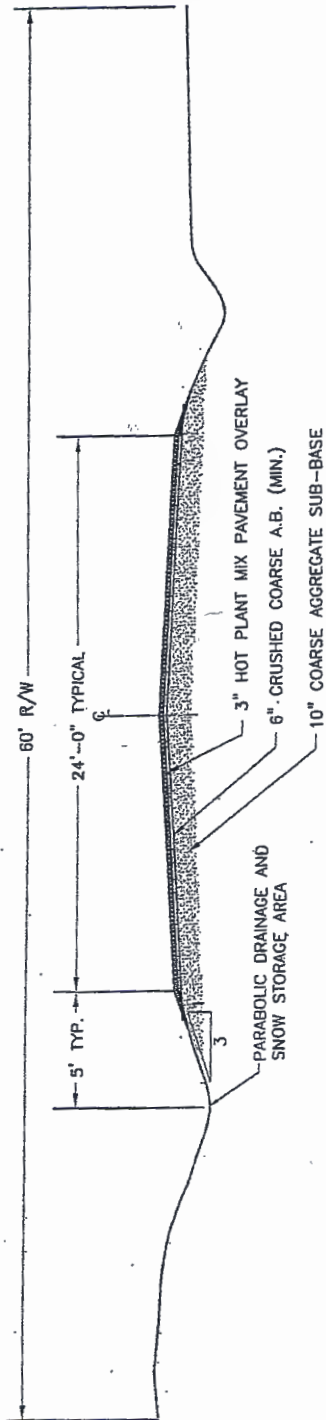


PART III - DEVELOPMENT DRAWINGS

DWG NO.

Local Rural Roadway Section	1
Pathway Detail	2
Typical Trench Detail	3
Water Service Connection ¾" & 1"	4
Water Service Connection 1 1/2 " & 2"	5
3" & 4" Meter Vault	6
Master Meter Vault	7
Fire Hydrant	8
Gate Valve	9
Creek Crossing Detail for Water & Sewer	10
Combination Air/Vac Valve	11
Flush Hydrant	12
Thurst Block Detail	13
Standard PRV Vault	14
Sidewalk	15
Local Rural Roadway Section	16



TYP LOCAL RURAL ROADWAY SECTION 1
 NOT TO SCALE

STREET DESIGN NOTES:

1. 60' ROW FOR ALL STREETS.
2. GRADED WIDTH OF ALL STREETS SHALL BE 24 FEET.
3. PARABOLIC DRAINAGE AND SNOW STORAGE SHALL BE PROVIDED ALONG ALL STREETS. DRAINAGEWAYS SHALL RESEDED AFTER CONSTRUCTION.
4. MAXIMUM GRADE OF ALL STREETS IS EIGHT PERCENT (8%).

GENERAL NOTES:

1. ALL CONSTRUCTION WORK SHALL BE PERFORMED WITHIN CITY EASEMENTS, STREET RIGHTS-OF-WAY OR RIGHTS-OF-WAY OBTAINED FOR CONSTRUCTION PURPOSES.
2. THE CONTRACTOR HAS THE ULTIMATE RESPONSIBILITY OF LOCATING ALL UNDERGROUND UTILITIES AND PROTECTING THEM FROM DAMAGE.
3. ALL EXCAVATIONS, TRENCHING, AND SHORING SHALL MEET THE REQUIREMENTS OF THE IDAHO OCCUPATIONAL HEALTH AND SAFETY COMMISSION.
4. ALL CONSTRUCTION SHALL CONFORM TO CITY OF GARDEN CITY PUBLIC WORKS STANDARDS AND ALL APPLICABLE REQUIREMENTS OF THE STATE OF UTAH. DEPARTMENTS OF ENVIRONMENTAL QUALITY. CONSTRUCTION WILL BE SUBJECT TO INSPECTION BY, BUT NOT LIMITED TO, BOTH AGENCIES.
5. CONTRACTOR SHALL PROPERLY PREPARE, PLACE, AND COMPACT ALL FILL MATERIAL IN ACCORDANCE WITH THE RECOMMENDATIONS OF THE ENGINEER AND THE TECHNICAL SPECIFICATIONS. COMPACTON OF ALL FILL MATERIAL SHALL BE TESTED BY A CERTIFIED TESTING LAB.
6. CONTRACTOR SHALL KEEP ALL PUBLIC ROADWAYS CLEAR OF MUD, DIRT, AND DEBRIS CREATED BY CONSTRUCTION ACTIVITIES. DUST SHALL BE CONTROLLED BY WATERING.

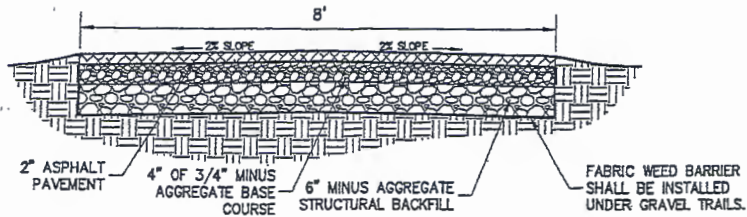


STANDARD DRAWINGS & SPECIFICATIONS

LOCAL RURAL ROADWAY SECTION

DESIGNED	CHECKED
SEI	JLL
DRAWN	DRAWING NO.
6-1-10	1

GARDEN CITY



(TYP) PATHWAY-SECTION
 ~
 N.T.S.

GENERAL NOTES:

1. ALL CONSTRUCTION WORK SHALL BE PERFORMED WITHIN CITY EASEMENTS, STREET RIGHTS-OF-WAY OR RIGHTS-OF-WAY OBTAINED FOR CONSTRUCTION PURPOSES.
2. THE CONTRACTOR HAS THE ULTIMATE RESPONSIBILITY OF LOCATING ALL UNDERGROUND UTILITIES AND PROTECTING THEM FROM DAMAGE.
3. ALL EXCAVATIONS, TRENCHING, AND SHORING SHALL MEET THE REQUIREMENTS OF THE UTAH OCCUPATIONAL HEALTH AND SAFETY COMMISSION.
4. ALL CONSTRUCTION SHALL CONFORM TO CITY OF DRIGGS PUBLIC WORKS STANDARDS.
5. CONTRACTOR SHALL PROPERLY PREPARE, PLACE, AND COMPACT ALL FILL MATERIAL IN ACCORDANCE WITH THE RECOMMENDATIONS OF THE ENGINEER AND THE TECHNICAL SPECIFICATIONS. COMPACTION OF ALL FILL MATERIAL SHALL BE TESTED BY A CERTIFIED TESTING LAB.
6. CONTRACTOR SHALL KEEP ALL PUBLIC ROADWAYS CLEAR OF MUD, DIRT, AND DEBRIS CREATED BY CONSTRUCTION ACTIVITIES. DUST SHALL BE CONTROLLED BY WATERING.



STANDARD DRAWINGS & SPECIFICATIONS

PATHWAY DETAIL

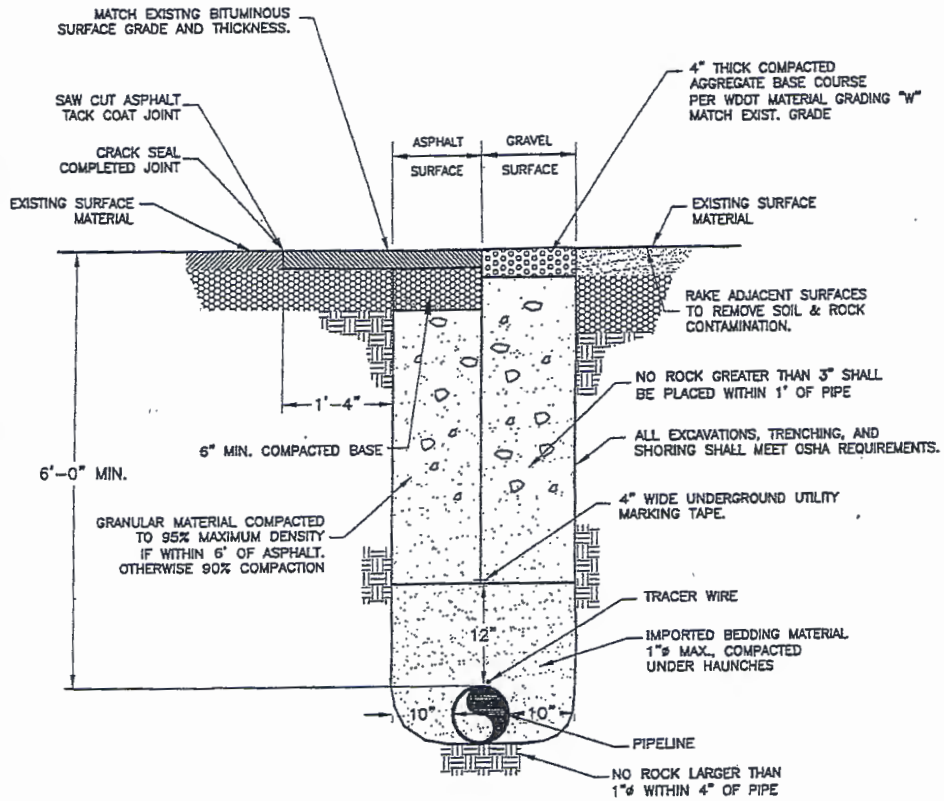
DESIGNED
SEI

CHECKED
JLL

DATE
6-1-10

DRAWING NO.
2

GARDEN
CITY



(TYP) **TYPICAL TRENCH DETAIL**
 NOT TO SCALE

GENERAL NOTES:

1. ALL CONSTRUCTION WORK SHALL BE PERFORMED WITHIN CITY EASEMENTS, STREET RIGHTS-OF-WAY OR RIGHTS-OF-WAY OBTAINED FOR CONSTRUCTION PURPOSES.
2. THE CONTRACTOR HAS THE ULTIMATE RESPONSIBILITY OF LOCATING ALL UNDERGROUND UTILITIES AND PROTECTING THEM FROM DAMAGE.
3. ALL EXCAVATIONS, TRENCHING, AND SHORING SHALL MEET THE REQUIREMENTS OF THE IDAHO OCCUPATIONAL HEALTH AND SAFETY COMMISSION.
4. ALL CONSTRUCTION SHALL CONFORM TO CITY OF GARDEN CITY PUBLIC WORKS STANDARDS AND ALL APPLICABLE REQUIREMENTS OF THE STATE OF UTAH, DEPARTMENT OF ENVIRONMENTAL QUALITY. CONSTRUCTION WILL BE SUBJECT TO INSPECTION BY, BUT NOT LIMITED TO, BOTH AGENCIES.
5. CONTRACTOR SHALL PROPERLY PREPARE, PLACE, AND COMPACT ALL FILL MATERIAL IN ACCORDANCE WITH THE RECOMMENDATIONS OF THE ENGINEER AND THE TECHNICAL SPECIFICATIONS. COMPACTION OF ALL FILL MATERIAL SHALL BE TESTED BY A CERTIFIED MATERIALS TESTING LAB.
6. CONTRACTOR SHALL KEEP ALL PUBLIC ROADWAYS CLEAR OF MUD, DIRT, AND DEBRIS CREATED BY CONSTRUCTION ACTIVITIES. DUST SHALL BE CONTROLLED BY WATERING.

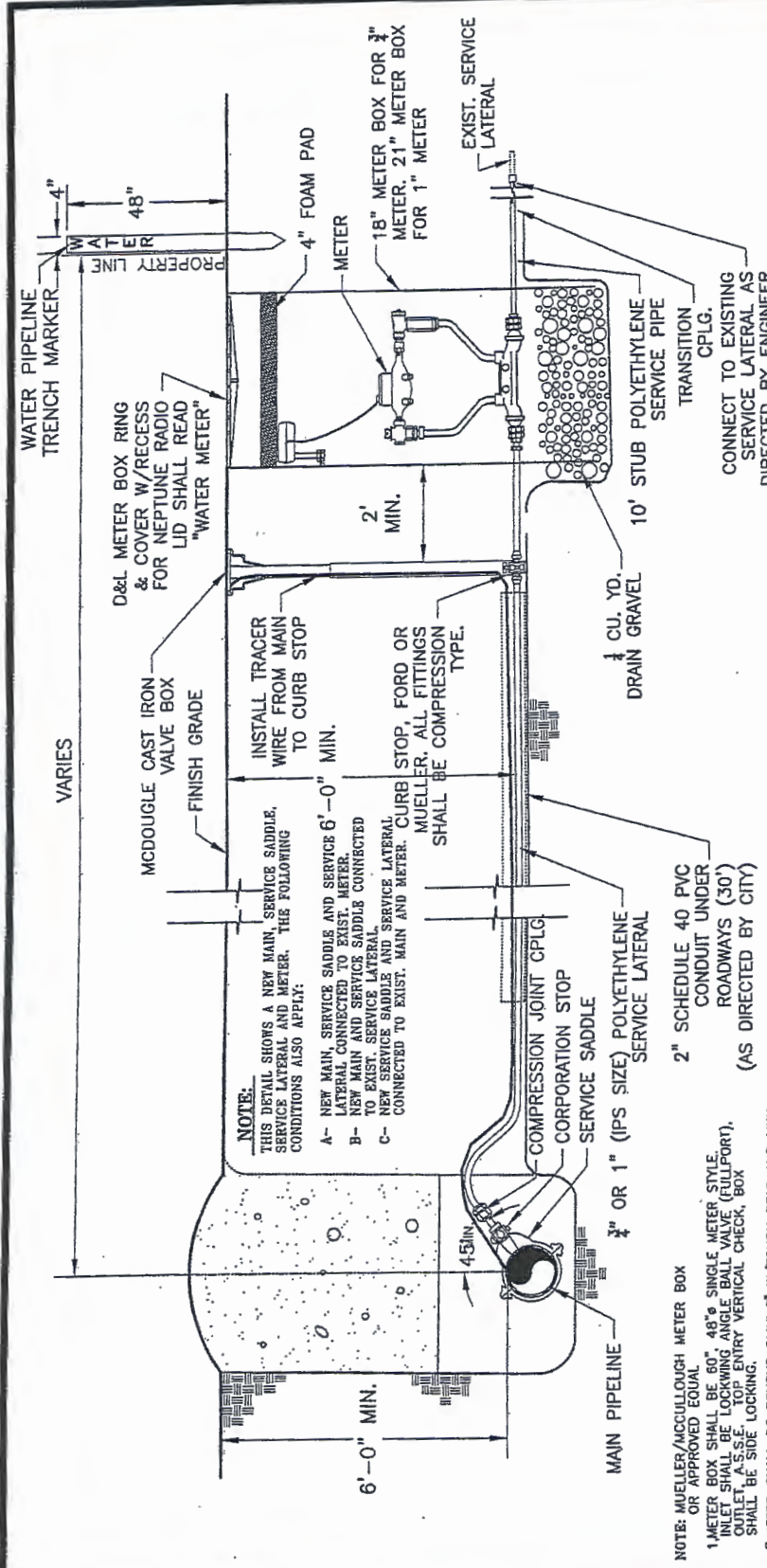


STANDARD DRAWINGS & SPECIFICATIONS

TYPICAL TRENCH DETAIL

DESIGNED SEI	CHECKED JIL
DATE 6-1-10	DRAWING NO. 3

**GARDEN
CITY**



S WATER SERVICE CONNECTION
 TYP NO SCALE

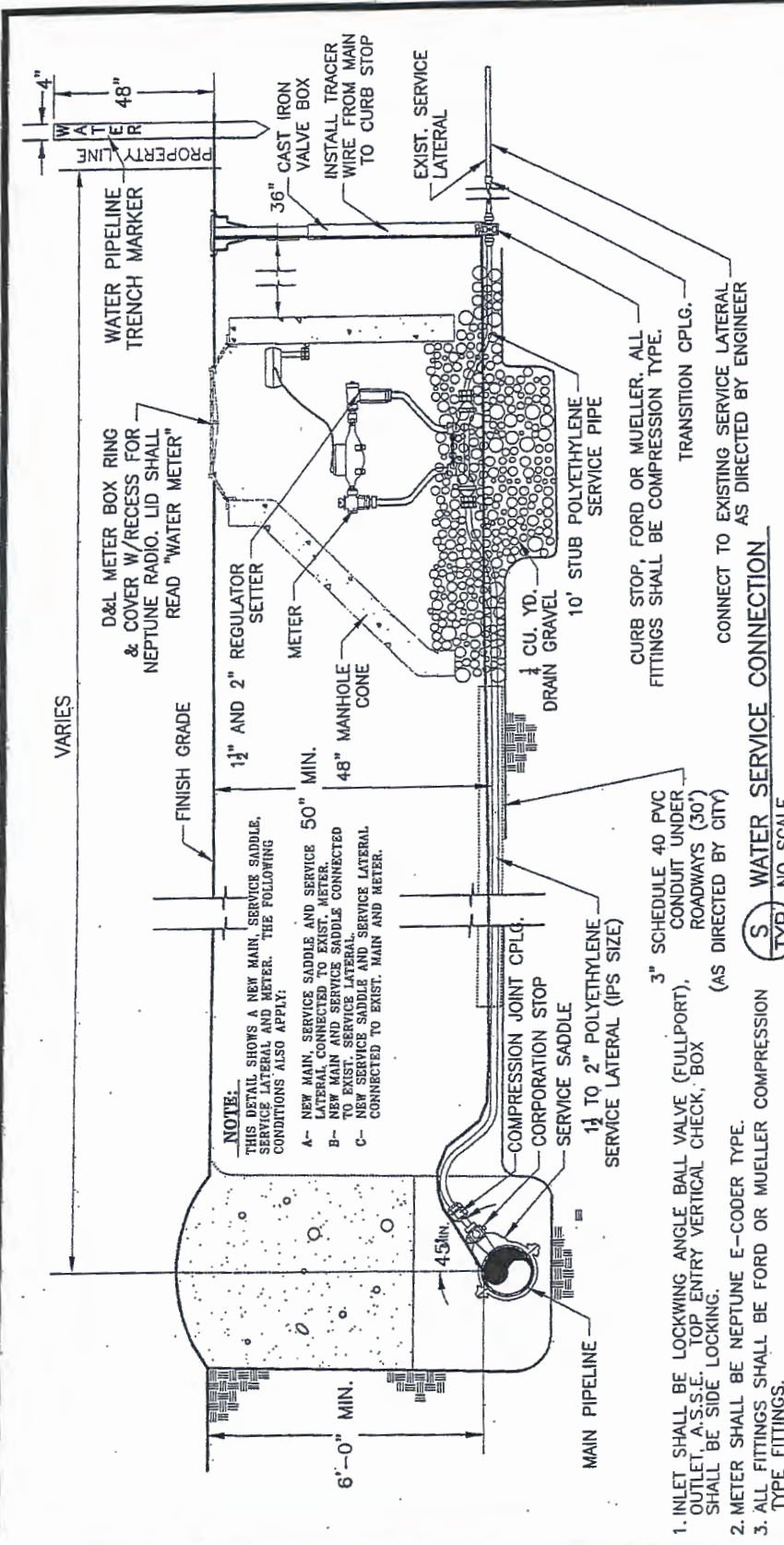
GENERAL NOTES:

1. ALL CONSTRUCTION WORK SHALL BE PERFORMED WITHIN CITY EASEMENTS, STREET RIGHTS-OF-WAY OR RIGHTS-OF-WAY OBTAINED FOR CONSTRUCTION PURPOSES.
2. THE CONTRACTOR HAS THE ULTIMATE RESPONSIBILITY OF LOCATING ALL UNDERGROUND UTILITIES AND PROTECTING THEM FROM DAMAGE.
3. ALL EXCAVATIONS, TRENCHING, AND SHORING SHALL MEET THE REQUIREMENTS OF THE IBC AND OCCUPATIONAL HEALTH AND SAFETY COMMISSION.
4. ALL CONSTRUCTION SHALL CONFORM TO CITY OF GARDEN CITY PUBLIC WORKS STANDARDS AND ALL APPLICABLE REQUIREMENTS OF THE STATE OF UTAH, INSPECTION BY, BUT NOT LIMITED TO, BOTH AGENCIES.
5. CONTRACTOR SHALL PROPERLY PREPARE, PLACE, AND COMPACT ALL FILL MATERIAL IN ACCORDANCE WITH THE RECOMMENDATIONS OF THE ENGINEER AND THE TECHNICAL SPECIFICATIONS. COMPACTION OF ALL FILL MATERIAL SHALL BE TESTED BY A CERTIFIED TESTING LAB.
6. CONTRACTOR SHALL KEEP ALL PUBLIC ROADWAYS CLEAR OF MUD, DIRT, AND DEBRIS CREATED BY CONSTRUCTION ACTIVITIES. DUST SHALL BE CONTROLLED BY WATERING.
7. STAMP W IN CURB WHERE LATERAL CROSSES CURB AND GUTTER.
8. WATER MAINS SHALL BE 8" MINIMUM DIAMETER.

CONSTRUCTION NOTES:

1. ALL 3/4" AND 1" SERVICE CONNECTIONS TO DUCTILE OR CAST IRON SUPPLY MAIN SHALL BE A SERVICE SADDLE WITH A CORP STOP. ALL OTHER SERVICE CONNECTIONS SHALL USE SERVICE SADDLES AS SPECIFIED.
2. ALL PIPELINES SHALL BE INSTALLED AT THE LOCATIONS AND DEPTHS OF THE PLANS OR AS OTHERWISE DIRECTED BY THE ENGINEER.
3. CONTRACTOR SHALL PERFORM ALL WORK IN ACCORDANCE WITH UTAH DEPARTMENT OF ENVIRONMENTAL QUALITY, WATER QUALITY RULES AND REGULATIONS.
4. ALL DISTRIBUTION PIPE SHALL BE CAST IRON OR DUCTILE IRON, ANMA C-110 CLASS 250.
5. ALL DISTRIBUTION FITTINGS SHALL BE CAST IRON OR DUCTILE IRON, ANMA C-110 CLASS 250.
6. PIPE SHALL BE PLACED WITHIN THE RIGHT-OF-WAY DESIGNATED, AND IN NO CASE SHALL THE PIPELINE BE CLOSER THAN 3 FEET FROM THE PROPERTY LINE.
7. SERVICE LINE UNDER ROADWAY SHALL BE ENCASED IN A 3 INCH PVC CASING FOR THE FULL WIDTH OF THE ROAD. (EVERY OTHER PROPERTY LINE)
8. MINIMUM HORIZONTAL SEPARATION FROM SEWER SHALL BE 10 FEET.
9. IF HORIZONTAL SEPARATION CANNOT BE MAINTAINED THEN WATER LINE SHALL BE 1'-6" VERTICALLY ABOVE SEWER OR SEWER SHALL BE CASED UNTIL SEPARATION CAN BE MET.

	STANDARD DRAWINGS & SPECIFICATIONS		DESIGNED SEI	CHECKED JIL	GARDEN CITY
	WATER SERVICE CONNECTION 3/4" & 1"		DATE 6-1-10	DRAWING NO. 4	



VARIABLES

D&L METER BOX RING & COVER W/RECESS FOR NEPTUNE RADIO. LID SHALL READ "WATER METER"

NOTE:
THIS DETAIL SHOWS A NEW MAIN, SERVICE SADDLE, SERVICE LATERAL AND METER. THE FOLLOWING CONDITIONS ALSO APPLY:
A- NEW MAIN, SERVICE SADDLE AND SERVICE LATERAL CONNECTED TO EXIST. METER.
B- NEW MAIN AND SERVICE SADDLE CONNECTED TO EXIST. SERVICE LATERAL.
C- NEW SERVICE SADDLE AND SERVICE LATERAL CONNECTED TO EXIST. MAIN AND METER.

1. INLET SHALL BE LOCKWING ANGLE BALL VALVE (FULLPORT), OUTLET, A.S.E. TOP ENTRY VERTICAL CHECK, BOX SHALL BE SIDE LOCKING.
2. METER SHALL BE NEPTUNE E-CODER TYPE.
3. ALL FITTINGS SHALL BE FORD OR MUELLER COMPRESSION TYPE FITTINGS.

CONSTRUCTION NOTES:

1. ALL 1 1/2" AND 2" SERVICE CONNECTIONS TO DUCTILE OR CAST IRON SUPPLY MAIN SHALL BE A SERVICE SADDLE WITH A CORP STOP. ALL OTHER SERVICE CONNECTIONS SHALL USE SERVICE SADDLES AS SPECIFIED.
2. ALL PIPELINES SHALL BE INSTALLED AT THE LOCATIONS AND DEPTHS OF THE PLANS OR AS OTHERWISE DIRECTED BY THE ENGINEER.
3. CONTRACTOR SHALL PERFORM ALL WORK IN ACCORDANCE WITH UTAH DEPARTMENT OF ENVIRONMENTAL QUALITY, WATER QUALITY RULES AND REGULATIONS.
4. ALL DISTRIBUTION PIPE SHALL IN ACCORDANCE TO SECTION 217.
5. ALL DISTRIBUTION FITTINGS SHALL BE CAST IRON OR DUCTILE IRON, ANWA C-110 CLASS 250.
6. PIPE SHALL BE PLACED WITHIN THE RIGHT-OF-WAY DESIGNATED, AND IN NO CASE SHALL THE PIPELINE BE CLOSER THAN 3 FEET FROM THE PROPERTY LINE.
7. SERVICE LINE UNDER ROADWAY SHALL BE ENCASED IN A 3 INCH PVC CASING FOR THE FULL WIDTH OF THE ROAD. (EVERY OTHER PROPERTY LINE)
8. MINIMUM HORIZONTAL SEPARATION FROM SEWER SHALL BE 10 FEET.
9. IF HORIZONTAL SEPARATION CANNOT BE MAINTAINED, THEN WATER LINE SHALL BE 1'-6" VERTICALLY ABOVE SEWER OR SEWER SHALL BE CAISED UNTIL SEPARATION CAN BE MET.

3" SCHEDULE 40 PVC CONDUIT UNDER ROADWAYS (30') (AS DIRECTED BY CITY)

S WATER SERVICE CONNECTION
TYP NO SCALE

CURB STOP, FORD OR MUELLER. ALL FITTINGS SHALL BE COMPRESSION TYPE.
CONNECT TO EXISTING SERVICE LATERAL AS DIRECTED BY ENGINEER

GENERAL NOTES:

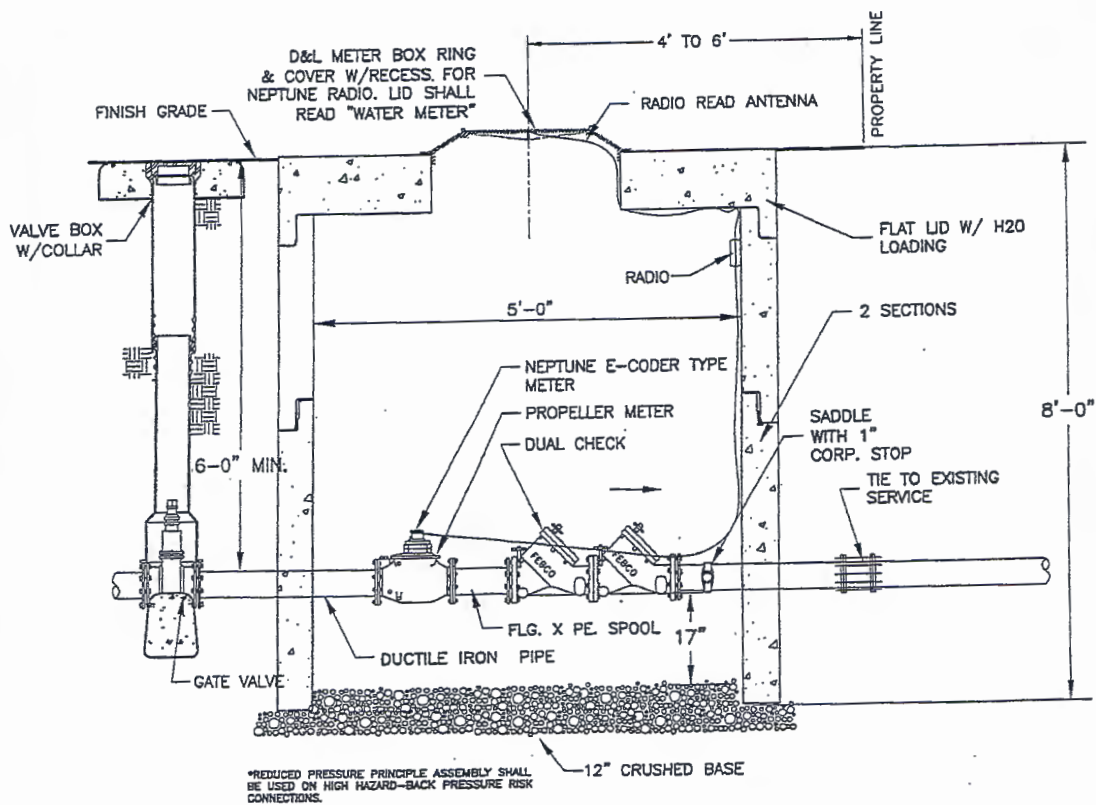
1. ALL CONSTRUCTION WORK SHALL BE PERFORMED WITHIN CITY EASEMENTS, STREET RIGHTS-OF-WAY OR RIGHTS-OF-WAY OBTAINED FOR CONSTRUCTION PURPOSES.
2. THE CONTRACTOR HAS THE ULTIMATE RESPONSIBILITY OF LOCATING ALL UNDERGROUND UTILITIES AND PROTECTING THEM FROM DAMAGE.
3. ALL EXCAVATIONS, TRENCHING, AND SHORING SHALL MEET THE REQUIREMENTS OF THE IDAHO OCCUPATIONAL HEALTH AND SAFETY COMMISSION.
4. ALL CONSTRUCTION SHALL CONFORM TO CITY OF GARDEN CITY PUBLIC WORKS STANDARDS AND APPLICABLE REQUIREMENTS OF THE STATE OF UTAH, DEPARTMENT OF ENVIRONMENTAL QUALITY. CONSTRUCTION WILL BE SUBJECT TO INSPECTION BY, BUT NOT LIMITED TO, BOTH AGENCIES.
5. CONTRACTOR SHALL PROPERLY PREPARE PLACE, AND COMPACT ALL FILL MATERIAL TO MEET THE REQUIREMENTS OF THE ENGINEER AND THE TECHNICAL SPECIFICATIONS. COMPACTION OF ALL FILL MATERIAL SHALL BE TESTED BY A CERTIFIED TESTING LAB.
6. CONTRACTOR SHALL KEEP ALL PUBLIC ROADWAYS CLEAR OF MUD, DIRT, AND DEBRIS CREATED BY CONSTRUCTION ACTIVITIES. DUST SHALL BE CONTROLLED BY WATERING.
7. STAMP W IN CURB WHERE LATERAL CROSSES CURB AND CUTTER.
8. WATER MAINS SHALL BE 8" MINIMUM DIAMETER.



STANDARD DRAWINGS & SPECIFICATIONS
WATER SERVICE CONNECTION 1-1/2" & 2"

APPROVED	CHECKED
SEI	JTL
DATE	DRAWING NO
6-1-10	5

GARDEN CITY



S
TYP
 3" & 4" METER PIT
 NO SCALE

CONSTRUCTION NOTES:

1. ALL 1 1/2" AND 2" SERVICE CONNECTIONS TO DUCTILE OR CAST IRON SUPPLY MAIN SHALL BE A SERVICE SADDLE WITH A CORP STOP. ALL OTHER SERVICE CONNECTIONS SHALL USE SERVICE SADDLES AS SPECIFIED.
2. ALL PIPELINES SHALL BE INSTALLED AT THE LOCATIONS AND DEPTHS OF THE PLANS OR AS OTHERWISE DIRECTED BY THE ENGINEER.
3. CONTRACTOR SHALL PERFORM ALL WORK IN ACCORDANCE WITH UTAH DEPARTMENT OF ENVIRONMENTAL QUALITY, WATER QUALITY RULES AND REGULATIONS.
4. ALL DISTRIBUTION PIPE SHALL IN ACCORDANCE TO SECTION 217.
5. ALL DISTRIBUTION FITTINGS SHALL BE CAST IRON OR DUCTILE IRON, AWWA C-110 CLASS 250.
6. PIPE SHALL BE PLACED WITHIN THE RIGHT-OF-WAY DESIGNATED, AND IN NO CASE SHALL THE PIPELINE BE CLOSER THAN 3 FEET FROM THE PROPERTY LINE.
7. SERVICE LINE UNDER ROADWAY SHALL BE ENCASED IN A 3 INCH PVC CASING FOR THE FULL WIDTH OF THE ROAD. (EVERY OTHER PROPERTY LINE)
8. MINIMUM HORIZONTAL SEPARATION FROM SEWER SHALL BE 10 FEET.
9. IF HORIZONTAL SEPARATION CANNOT BE MAINTAINED THEN WATER LINE SHALL BE 1'-6" VERTICALLY ABOVE SEWER OR SEWER SHALL BE CASED UNTIL SEPERATION CAN BE MET.

GENERAL NOTES:

1. ALL CONSTRUCTION WORK SHALL BE PERFORMED WITHIN CITY EASEMENTS, STREET RIGHTS-OF-WAY OR RIGHTS-OF-WAY OBTAINED FOR CONSTRUCTION PURPOSES.
2. THE CONTRACTOR HAS THE ULTIMATE RESPONSIBILITY OF LOCATING ALL UNDERGROUND UTILITIES AND PROTECTING THEM FROM DAMAGE.
3. ALL EXCAVATIONS, TRENCHING, AND SHORING SHALL MEET THE REQUIREMENTS OF THE IDAHO OCCUPATIONAL HEALTH AND SAFETY COMMISSION.
4. ALL CONSTRUCTION SHALL CONFORM TO CITY OF GARDEN CITY PUBLIC WORKS STANDARDS AND ALL APPLICABLE REQUIREMENTS OF THE STATE OF UTAH, DEPARTMENT OF ENVIRONMENTAL QUALITY. CONSTRUCTION WILL BE SUBJECT TO INSPECTION BY, BUT NOT LIMITED TO, BOTH AGENCIES.
5. CONTRACTOR SHALL PROPERLY PREPARE, PLACE, AND COMPACT ALL FILL MATERIAL IN ACCORDANCE WITH THE RECOMMENDATIONS OF THE ENGINEER AND THE TECHNICAL SPECIFICATIONS. COMPACTION OF ALL FILL MATERIAL SHALL BE TESTED BY A CERTIFIED TESTING LAB.
6. CONTRACTOR SHALL KEEP ALL PUBLIC ROADWAYS CLEAR OF MUD, DIRT, AND DEBRIS CREATED BY CONSTRUCTION ACTIVITIES. DUST SHALL BE CONTROLLED BY WATERING.
7. STAMP W IN CURB WHERE LATERAL CROSSES CURB AND GUTTER.
8. WATER MAINS SHALL BE 8" MINIMUM DIAMETER.

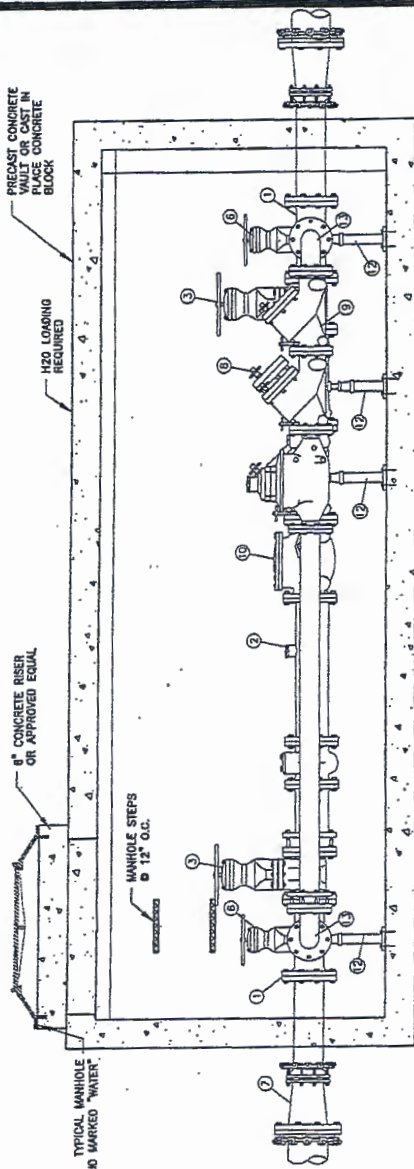


STANDARD DRAWINGS & SPECIFICATIONS

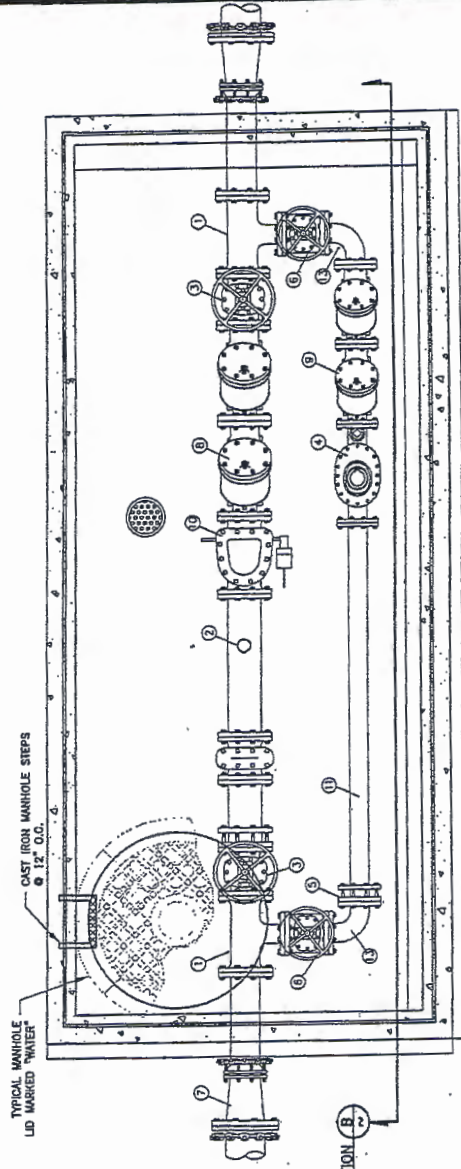
3" AND 4" METER VAULT

DESIGNED SEI	CHECKED JIL
DATE 6-1-10	DRAWING NO. 6

GARDEN
CITY



(B) MASTER METER VAULT-ELEVATION



(A) MASTER METER VAULT-PLAN VIEW

EQUIPMENT SCHEDULE		
NO.	DESCRIPTION	REMARKS
1	TEE	8" x 8" x 4" FLANGED x FLANGED (2 REQ'D)
2	TURBINE METER	8" APPROVED BY CITY
3	GATE VALVE	8" FLANGED x FLANGED (2 REQ'D)
4	LOW/MEDIUM FLOW METER	4" APPROVED BY CITY
5	FLANGED COUPLING ADAPTER	4"
6	GATE VALVE	4" FLANGED x FLANGED (2 REQ'D)
7	REDUCER	8" x 4" FLANGED x 1/4" W/ALUMINUM (2 REQ'D)
8	DOUBLE CHECK BACKFLOW PREVENTER	8" APPROVED BY CITY
9	DOUBLE CHECK BACKFLOW PREVENTER	4" APPROVED BY CITY
10	SWING TYPE LUGS & WEIGHT	FLANGED x FLANGED
11	SPHOOL	FLANGED x FLANGED (2 REQ'D)
12	PIPE SUPPORT	8"
13	8" BEND	(2 REQ'D)
14	HEPTUNE BRASS STAINER	8" APPROVED BY CITY
15	FLANGED COUPLING ADAPTER	8"
16	SPHOOL	FLANGED x FLANGED

- NOTES:
- ALL FITTINGS, VALVES AND FLANGES SHALL BE CLASS 150.
 - THE CITY OF GARDEN CITY SHALL APPROVE ALL MATERIALS INSTALLED.

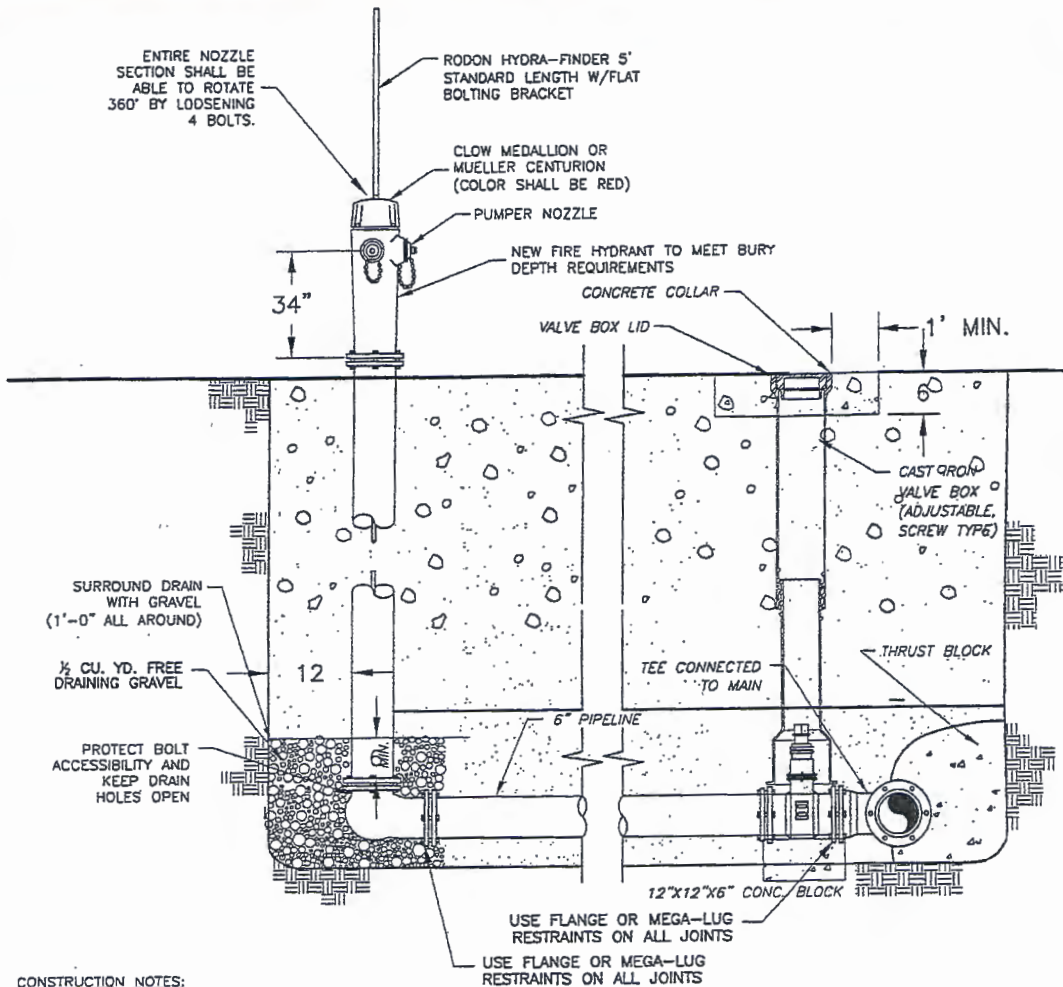


STANDARD DRAWINGS & SPECIFICATIONS

MASTER METER VAULT

DESIGNED SEI	CHECKED JIL
DATE 6-1-10	DRAWING NO. 7

GARDEN CITY



CONSTRUCTION NOTES:

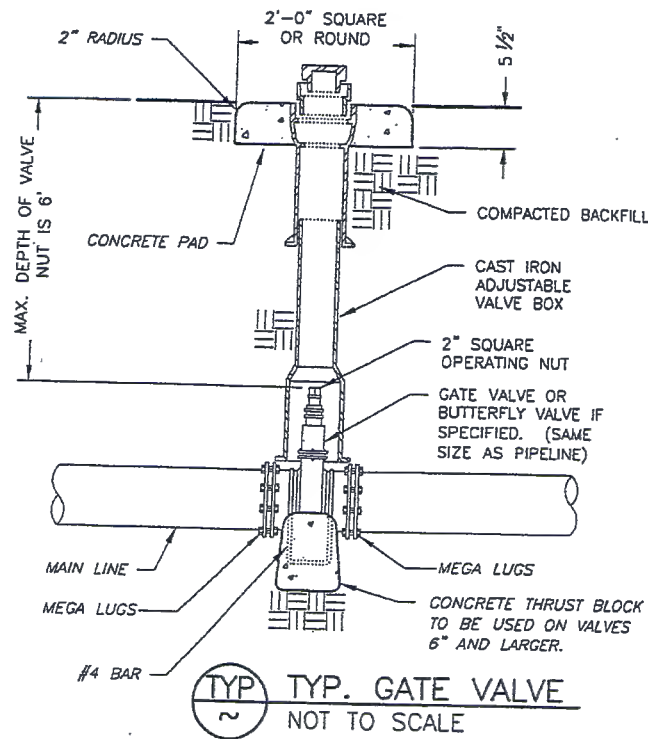
1. ALL PIPELINES SHALL BE INSTALLED AT THE LOCATIONS AND DEPTHS INDICATED ON THE PLANS OR AS OTHERWISE DIRECTED BY THE ENGINEER.
2. ALL PIPELINE MATERIALS SHALL CONFORM TO ASTM D3034-80, SCHEDULE 40, ASTM F679-81, OR ASTM F794-83.
3. CONTRACTOR SHALL PERFORM ALL WORK IN ACCORDANCE WITH UTAH DEPARTMENT OF ENVIRONMENTAL QUALITY (DEQ), WATER QUALITY RULES AND REGULATIONS.
4. ALL DISTRIBUTION PIPE SHALL BE APPROVED BY THE CITY OF GARDEN CITY PUBLIC WORKS.
5. PIPE SHALL BE PLACED WITHIN THE RIGHT-OF-WAY DESIGNATED, AND IN NO CASE SHALL THE PIPELINE BE CLOSER THAN 3 FEET FROM THE PROPERTY LINE.
6. MINIMUM HORIZONTAL SEPARATION FROM SEWER SHALL BE 10'.
7. IF HORIZONTAL SEPARATION CANNOT BE MAINTAINED THEN WATER LINE SHALL BE 1'-6" VERTICALLY ABOVE SEWER OR SEWER SHALL BE CASED UNTIL SEPARATION CAN BE MET.
8. ALL APPURTENANCES TO BE WRAPPED WITH 8 MIL PLASTIC TO PREVENT CONCRETE FROM ADHERING TO ANY PART OF FITTING.
9. JOINT RESTRAINTS SHALL BE USED FOR THRUST SUPPORT.
10. WATER VALVE LOCATIONS SHALL BE 5' FROM THE C.L. OF THE MAIN LINE TO THE C.L. OF A MAIN LINE VALVE AND A MAX. OF 3' FROM THE C.L. OF MAIN LINE TO THE C.L. OF THE FIRE HYDRANT OR PRIVATE SERVICE VALVE, OR AS DIRECTED BY THE ENGINEER.
11. FIRE HYDRANTS AND CURB STOPS SHALL BE LOCATED OUT OF SIDEWALK AREA WHERE POSSIBLE. LOCATE 1' BEHIND WALK IN UTILITY EASEMENT AS SHOWN OR 1' IN FRONT OF WALK IF NO EASEMENT IS AVAILABLE BEHIND WALK.

TYP
FIRE HYDRANT
 NOT TO SCALE

GENERAL NOTES:

1. ALL CONSTRUCTION WORK SHALL BE PERFORMED WITHIN CITY EASEMENTS, STREET RIGHTS-OF-WAY OR RIGHTS-OF-WAY OBTAINED FOR CONSTRUCTION PURPOSES.
2. THE CONTRACTOR HAS THE ULTIMATE RESPONSIBILITY OF LOCATING ALL UNDERGROUND UTILITIES AND PROTECTING THEM FROM DAMAGE.
3. ALL EXCAVATIONS, TRENCHING, AND SHORING SHALL MEET THE REQUIREMENTS OF THE IDAHO OCCUPATIONAL HEALTH AND SAFETY COMMISSION.
4. ALL CONSTRUCTION SHALL CONFORM TO CITY OF DRIGGS PUBLIC WORKS STANDARDS AND ALL APPLICABLE REQUIREMENTS OF THE STATE OF IDAHO, DEPARTMENT OF ENVIRONMENTAL QUALITY. CONSTRUCTION WILL BE SUBJECT TO INSPECTION BY, BUT NOT LIMITED TO, BOTH AGENCIES.
5. CONTRACTOR SHALL PROPERLY PREPARE, PLACE, AND COMPACT ALL FILL MATERIAL IN ACCORDANCE WITH THE RECOMMENDATIONS OF THE ENGINEER AND THE TECHNICAL SPECIFICATIONS. COMPACTION OF ALL FILL MATERIAL SHALL BE TESTED BY A CERTIFIED TESTING LAB.
6. CONTRACTOR SHALL KEEP ALL PUBLIC ROADWAYS CLEAR OF MUD, DIRT, AND DEBRIS CREATED BY CONSTRUCTION ACTIVITIES. DUST SHALL BE CONTROLLED BY WATERING.
7. CONTRACTOR SHALL PAINT CURB 10 FEET ON EACH SIDE OF HYDRANT.
8. CONTRACTOR SHALL PROVIDE A HYDRANT WRENCH FOR EACH PHASE OF THE PROJECT.

SUNRISE ENGINEERING	<i>STANDARD DRAWINGS & SPECIFICATIONS</i>	DESIGNED SEI	CHECKED JJL	GARDEN CITY
	<i>FIRE HYDRANT</i>	DATE 6-1-10	DRAWING NO. 8	



GENERAL NOTES:

1. ALL CONSTRUCTION WORK SHALL BE PERFORMED WITHIN CITY EASEMENTS, STREET RIGHTS-OF-WAY OR RIGHTS-OF-WAY OBTAINED FOR CONSTRUCTION PURPOSES.
2. THE CONTRACTOR HAS THE ULTIMATE RESPONSIBILITY OF LOCATING ALL UNDERGROUND UTILITIES AND PROTECTING THEM FROM DAMAGE.
3. ALL EXCAVATIONS, TRENCHING, AND SHORING SHALL MEET THE REQUIREMENTS OF THE IDAHO OCCUPATIONAL HEALTH AND SAFETY COMMISSION.
4. ALL CONSTRUCTION SHALL CONFORM TO CITY OF GARDEN CITY PUBLIC WORKS STANDARDS AND ALL APPLICABLE REQUIREMENTS OF THE STATE OF UTAH, DEPARTMENT OF ENVIRONMENTAL QUALITY. CONSTRUCTION WILL BE SUBJECT TO INSPECTION BY, BUT NOT LIMITED TO, BOTH AGENCIES.
5. CONTRACTOR SHALL PROPERLY PREPARE, PLACE, AND COMPACT ALL FILL MATERIAL IN ACCORDANCE WITH THE RECOMMENDATIONS OF THE ENGINEER AND THE TECHNICAL SPECIFICATIONS. COMPACTION OF ALL FILL MATERIAL SHALL BE TESTED BY A CERTIFIED TESTING LAB.
6. CONTRACTOR SHALL KEEP ALL PUBLIC ROADWAYS CLEAR OF MUD, DIRT, AND DEBRIS CREATED BY CONSTRUCTION ACTIVITIES. DUST SHALL BE CONTROLLED BY WATERING.
7. VALVE BOX AND OPERATING NUT EXTENSION MAY BE NECESSARY IF VALVE IS INSTALLED DEEPER THAN 5 FEET.
8. 500 FT. MAXIMUM SPACING FOR ALL VALVES.
9. VALVES SHALL BE INSTALLED ON ALL LEGS OF TEES AND CROSSES.



STANDARD DRAWINGS & SPECIFICATIONS

GATE VALVE

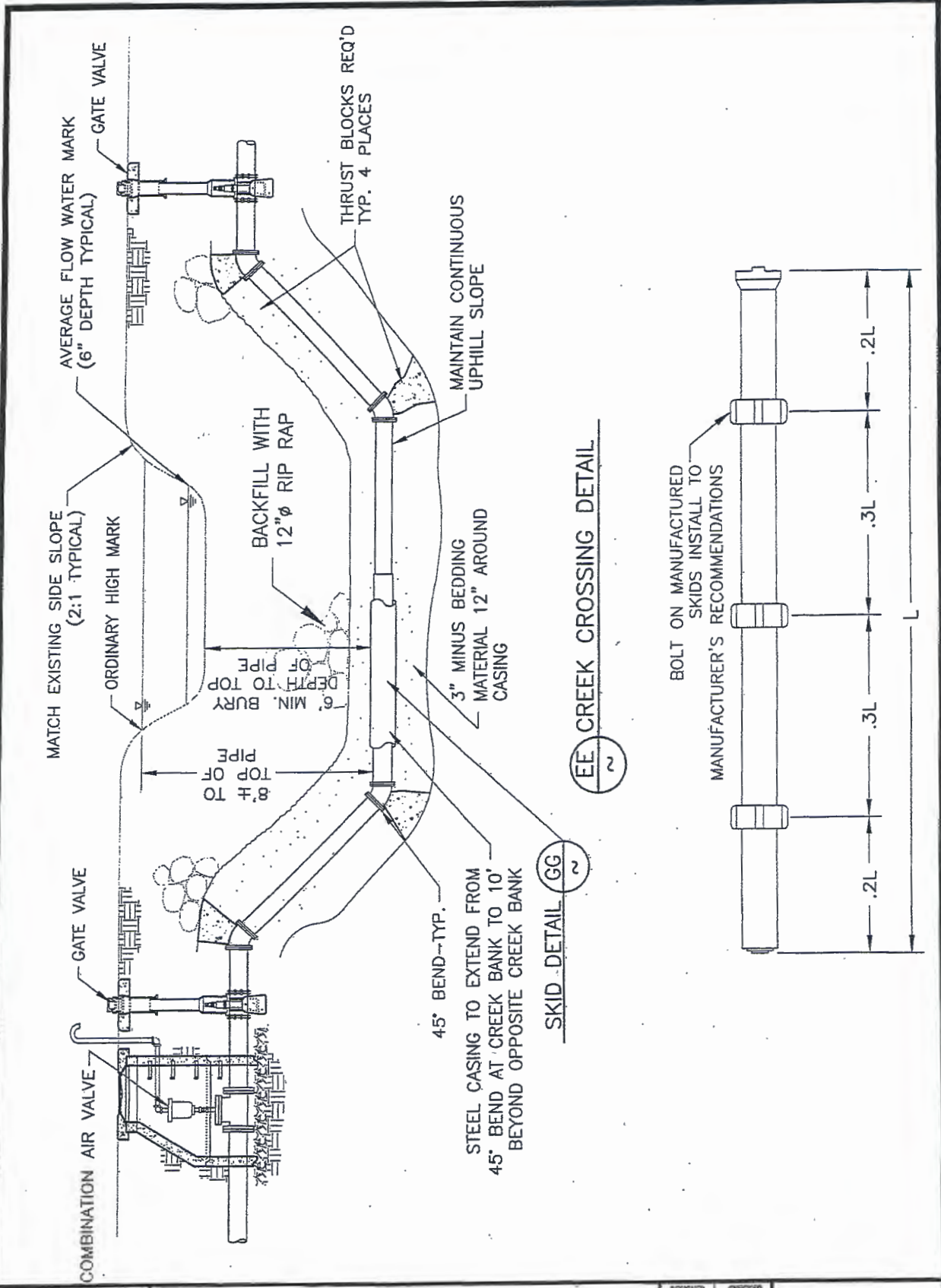
DESIGNED
SEI

CHECKED
JJL

DATE
6-1-10

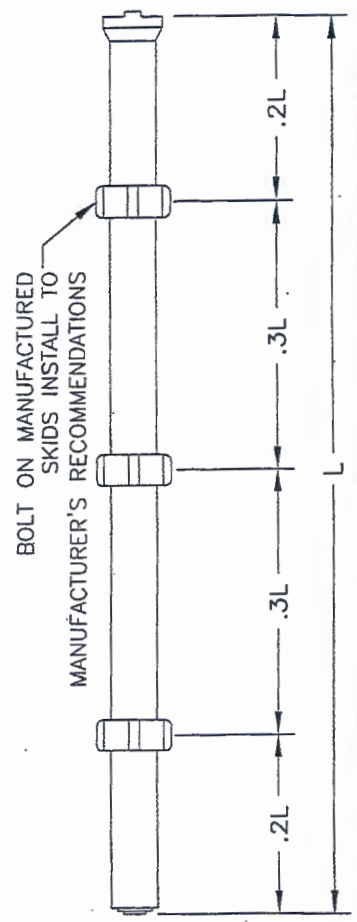
DRAWING NO.
9

GARDEN
CITY

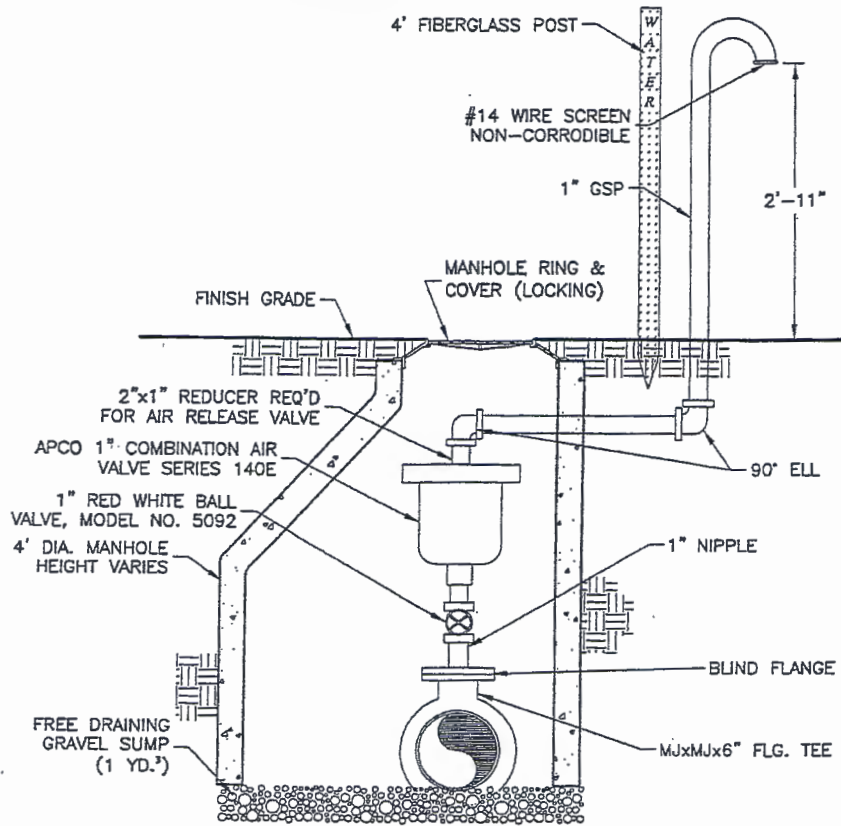


EE CREEK CROSSING DETAIL

SKID DETAIL GG



	STANDARD DRAWINGS & SPECIFICATIONS		DESIGNED SEI	CHECKED JJL	GARDEN CITY
	CREEK CROSSING DETAIL FOR WATER & SEWER		DATE 6-1-10	DRAWING NO. 10	



G COMBINATION AIR/VAC VALVE
TYP NO SCALE

GENERAL NOTES:

1. ALL CONSTRUCTION WORK SHALL BE PERFORMED WITHIN CITY EASEMENTS, STREET RIGHTS-OF-WAY OR RIGHTS-OF-WAY OBTAINED FOR CONSTRUCTION PURPOSES.
2. THE CONTRACTOR HAS THE ULTIMATE RESPONSIBILITY OF LOCATING ALL UNDERGROUND UTILITIES AND PROTECTING THEM FROM DAMAGE.
3. ALL EXCAVATIONS, TRENCHING, AND SHORING SHALL MEET THE REQUIREMENTS OF THE IDAHO OCCUPATIONAL HEALTH AND SAFETY COMMISSION.
4. ALL CONSTRUCTION SHALL CONFORM TO CITY OF GARDEN CITY PUBLIC WORKS STANDARDS AND ALL APPLICABLE REQUIREMENTS OF THE STATE OF UTAH, DEPARTMENT OF ENVIRONMENTAL QUALITY. CONSTRUCTION WILL BE SUBJECT TO INSPECTION BY, BUT NOT LIMITED TO, BOTH AGENCIES.
5. CONTRACTOR SHALL PROPERLY PREPARE, PLACE, AND COMPACT ALL FILL MATERIAL IN ACCORDANCE WITH THE RECOMMENDATIONS OF THE ENGINEER AND THE TECHNICAL SPECIFICATIONS. COMPACTION OF ALL FILL MATERIAL SHALL BE TESTED BY A CERTIFIED TESTING LAB.
6. CONTRACTOR SHALL KEEP ALL PUBLIC ROADWAYS CLEAR OF MUD, DIRT, AND DEBRIS CREATED BY CONSTRUCTION ACTIVITIES. DUST SHALL BE CONTROLLED BY WATERING.

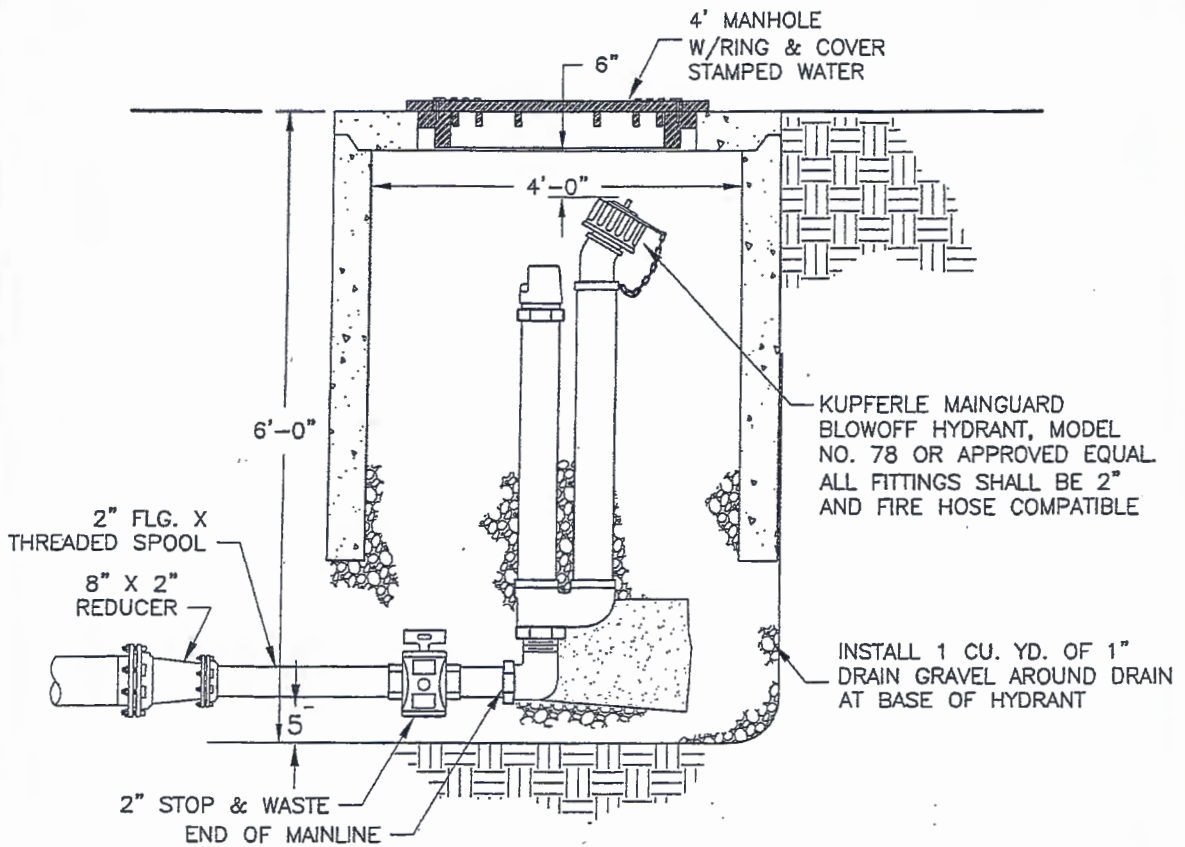


STANDARD DRAWINGS & SPECIFICATIONS

COMBINATION AIR/VAC VALVE

DESIGNED SEI	CHECKED JIL
DATE 6-1-10	DRAWINGS NO. 11

GARDEN
CITY



~
TYP BLOWOFF HYDRANT
NOT TO SCALE

GENERAL NOTES:

1. ALL CONSTRUCTION WORK SHALL BE PERFORMED WITHIN CITY EASEMENTS, STREET RIGHTS-OF-WAY OR RIGHTS-OF-WAY OBTAINED FOR CONSTRUCTION PURPOSES.
2. THE CONTRACTOR HAS THE ULTIMATE RESPONSIBILITY OF LOCATING ALL UNDERGROUND UTILITIES AND PROTECTING THEM FROM DAMAGE.
3. ALL EXCAVATIONS, TRENCHING, AND SHORING SHALL MEET THE REQUIREMENTS OF THE UTAH OCCUPATIONAL HEALTH AND SAFETY COMMISSION.
4. ALL CONSTRUCTION SHALL CONFORM TO CITY OF GARDEN CITY PUBLIC WORKS STANDARDS AND ALL APPLICABLE REQUIREMENTS OF THE STATE OF UTAH, DEPARTMENT OF ENVIRONMENTAL QUALITY. CONSTRUCTION WILL BE SUBJECT TO INSPECTION BY, BUT NOT LIMITED TO, BOTH AGENCIES.
5. CONTRACTOR SHALL PROPERLY PREPARE, PLACE, AND COMPACT ALL FILL MATERIAL IN ACCORDANCE WITH THE RECOMMENDATIONS OF THE ENGINEER AND THE TECHNICAL SPECIFICATIONS. COMPACTION OF ALL FILL MATERIAL SHALL BE TESTED BY A CERTIFIED TESTING LAB.
6. CONTRACTOR SHALL KEEP ALL PUBLIC ROADWAYS CLEAR OF MUD, DIRT, AND DEBRIS CREATED BY CONSTRUCTION ACTIVITIES. DUST SHALL BE CONTROLLED BY WATERING.



STANDARD DRAWINGS & SPECIFICATIONS

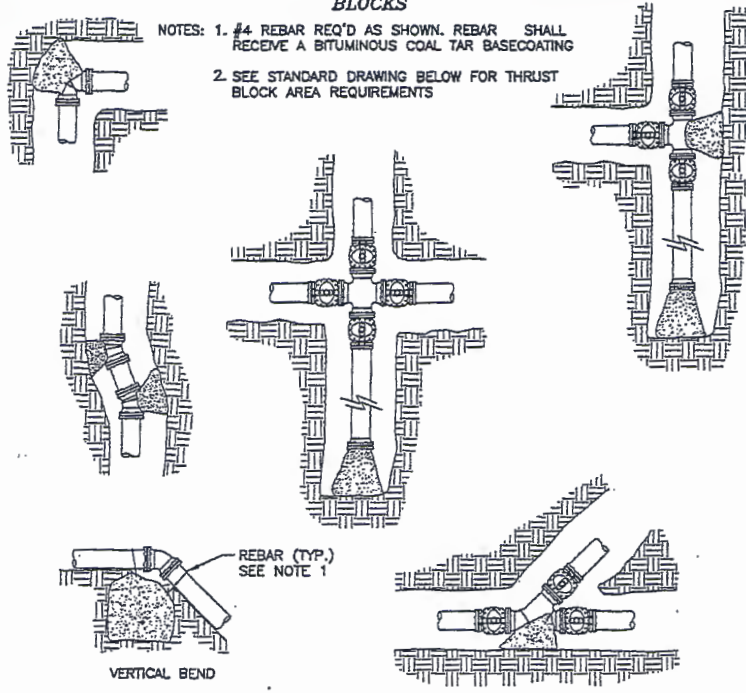
FLUSH HYDRANT

APPROVED SEI	CHECKED JIL
DATE 6-1-10	DRAWING NO. 12

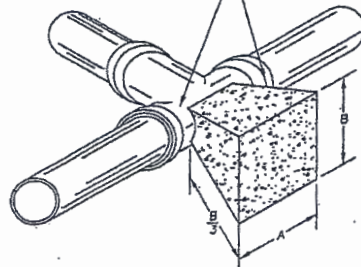
GARDEN
CITY

**THRUST
BLOCKS**

- NOTES: 1. #4 REBAR REQ'D AS SHOWN. REBAR SHALL RECEIVE A BITUMINOUS COAL TAR BASECOATING
2. SEE STANDARD DRAWING BELOW FOR THRUST BLOCK AREA REQUIREMENTS



CONCRETE TO BE FORMED WITH SUITABLE RIGID MATERIAL SO AS NOT TO COVER ANY MECHANICAL JOINTS OR BOLTS.



NOTE: THIS TABLE IS BASED ON 150 PSI MAIN PRESSURE, 2000 PSF SOIL BEARING PRESSURE. CONCRETE BLOCKING MUST CURE FOR 24 HOURS PRIOR TO CHARGING SYSTEM.

DIMENSION FOR THRUST BLOCKING								
FITTING SIZES	TEES & PLUGS		90° BEND		45° BEND & WYES		REDUCERS & 22-1/2° BEND	
	A	B	A	B	A	B	A	B
4"	1'-7"	1'-2"	1'-9"	1'-6"	1'-8"	0'-10"	1'-7"	0'-6"
6"	2'-0"	1'-11"	2'-5"	2'-2"	1'-10"	1'-7"	1'-9"	0'-10"
8"	2'-8"	2'-6"	3'-2"	3'-0"	2'-5"	2'-1"	1'-9"	1'-6"
10"	3'-4"	3'-3"	4'-0"	3'-10"	3'-0"	2'-9"	2'-2"	1'-11"
12"	4'-0"	3'-10"	4'-8"	4'-8"	3'-8"	3'-3"	2'-7"	2'-3"



STANDARD DRAWINGS & SPECIFICATIONS

THRUST BLOCK DETAIL

DESIGNED SEI	CHECKED JIL
DATE 6-1-10	DRAWING NO. 13

GARDEN
CITY

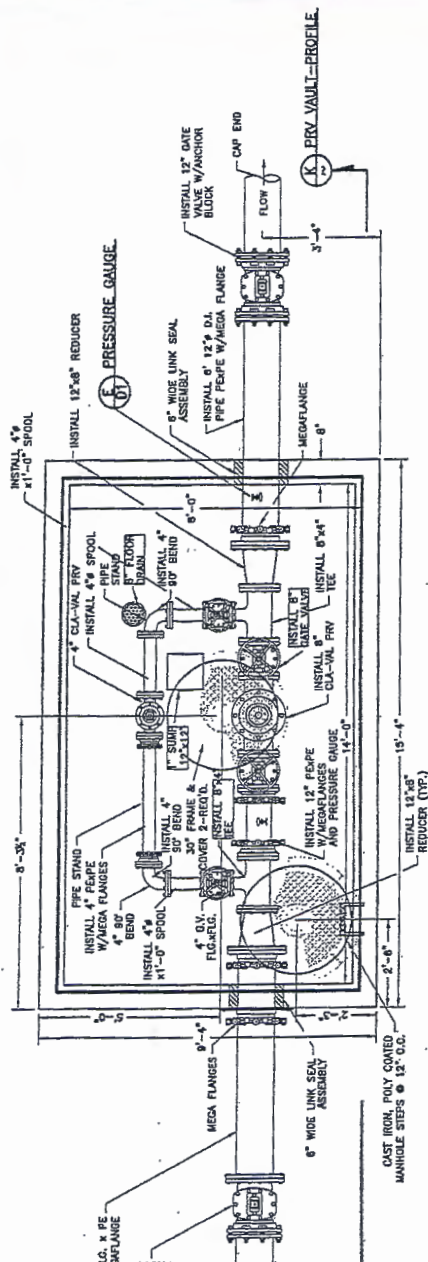


STANDARD DRAWINGS & SPECIFICATIONS

STANDARD PRV VAULT

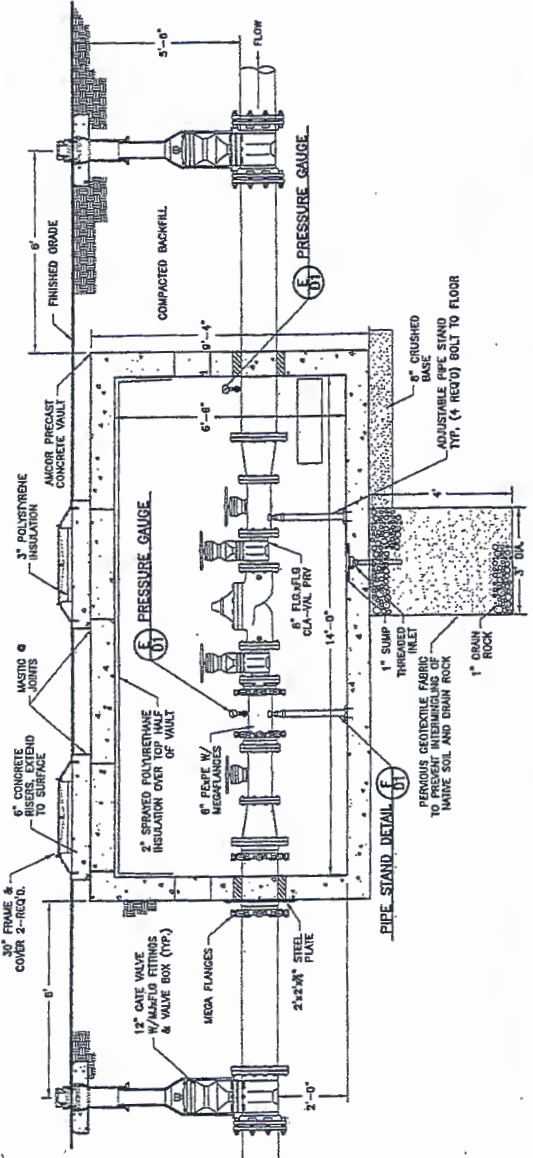
DESIGNED	CHECKED
SEI	JJL
DATE	DRAWING NO.
6-1-10	14

GARDEN CITY



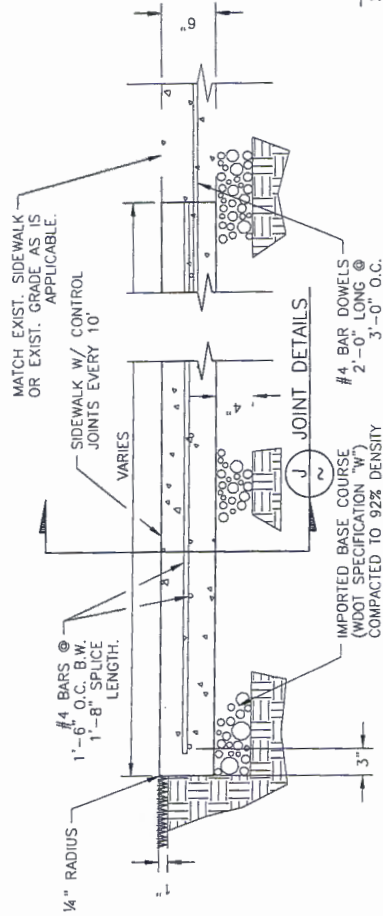
NOTES:

1. ALL GATE VALVES INSTALLED IN PRV VAULT SHALL BE EPOXY COATED WITH HAND WHEELS AS MANUFACTURED BY WATEROUS, MUELLER, OR APPROVED EQUAL.
2. A MINIMUM OF 4 ADJUSTABLE PIPE STANDS ARE REQUIRED.
3. MINIMUM VAULT DIMENSIONS MAY BE INCREASED TO MEET SPECIFIC PRECAST MANUFACTURER REQUIREMENTS.
4. VALVES AND ACCESS COVERS SHALL BE ADJUSTED TO FINISHED GRADE.
5. FINISHED GRADE SHALL DRAIN AWAY FROM ACCESS COVERS.
6. ALL DISTURBED AREAS AROUND AND OVER THE VAULT SHALL BE GRADED SMOOTH AND RESEDED.
7. VAULT SHALL BE RATED FOR AN HS-20 LOADING.
8. THE MANUFACTURER'S REPRESENTATIVE SHALL PROVIDE ON-SITE CALIBRATION OF PRVs AT NO ADDITIONAL COST TO THE OWNER.
9. VALVE AND PIPE SIZES WILL VARY DEPENDING ON LOCATION AND NEED.



PIPE STAND DETAIL





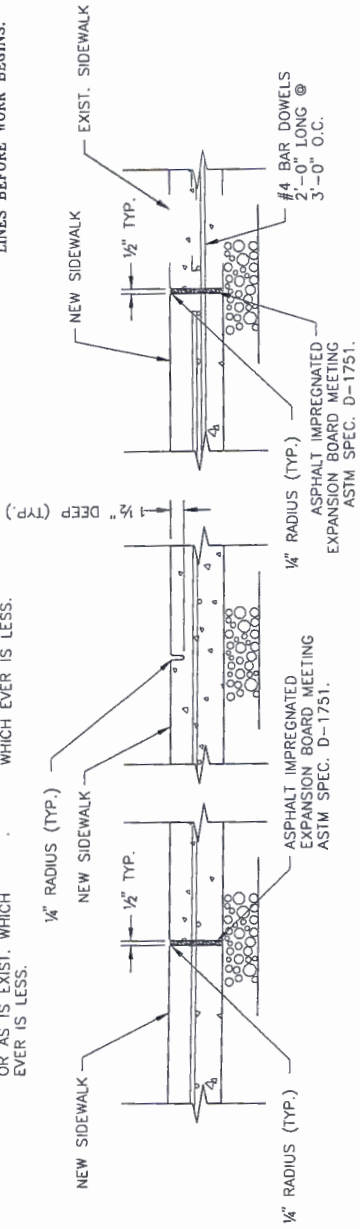
SIDEWALK NOTES:

1. CONCRETE SHALL BE DELIVERED TO THE JOB BY THE NEAREST DRIVEWAY AND THEN IF NECESSARY WHEEL BARROWED IN. DRIVING TRUCKS ON LANDSCAPE AND WALKS ONLY IF PERMITTED SPECIFICALLY BY OWNERS REPRESENTATIVE.
2. DEMOLITION SHALL BE BY CONTRACTOR.
3. CONCRETE TO BE REMOVED MUST BE SAW-CUT TO AVOID DAMAGE TO CONCRETE TO REMAIN. IF A COLD JOINT OR EXPANSION JOINT IS NOT PRESENT.
4. CONTRACTOR SHALL OBTAIN PERMISSION FROM OWNER TO REMOVE OR MODIFY SPRINKLER LINES BEFORE WORK BEGINS.

H TYP. SIDEWALK SECTION
1" = 2'-0"

NOTE: INSTALL EXPANSION/CONTRACTION JOINTS ON 40 FT. INTERVALS OR AS IS EXIST. WHICH EVER IS LESS.

NOTE: INSTALL CONTROL JOINTS ON 10 FT. INTERVALS OR AS SHOWN ON PLAN WHICH EVER IS LESS.



J SIDEWALK JOINTS
1" = 2'-0"

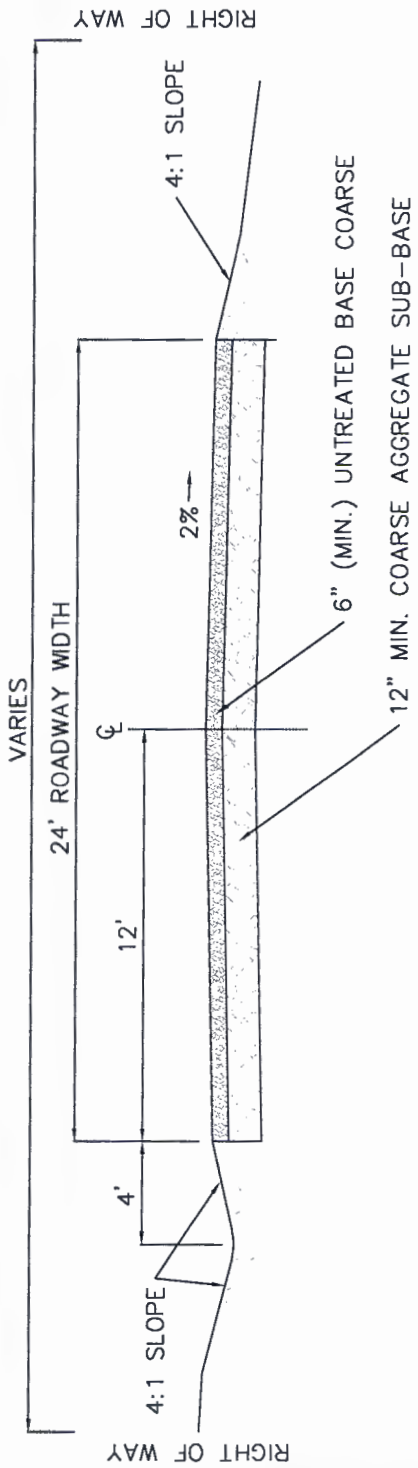


STANDARD DRAWINGS & SPECIFICATIONS

SIDEWALK SECTION

DESIGNED SEI	CHECKED JIL
DATE 6-1-10	DRAWING NO.

GARDEN CITY



GENERAL NOTES:

1. ALL CONSTRUCTION WORK SHALL BE PERFORMED WITHIN CITY EASEMENTS, STREET RIGHTS-OF-WAY OR RIGHTS-OF-WAY OBTAINED FOR CONSTRUCTION PURPOSES.
2. THE CONTRACTOR HAS THE ULTIMATE RESPONSIBILITY OF LOCATING ALL UNDERGROUND UTILITIES AND PROTECTING THEM FROM DAMAGE.
3. ALL EXCAVATIONS, TRENCHING, AND SHORING SHALL MEET THE REQUIREMENTS OF THE IDAHO OCCUPATIONAL HEALTH AND SAFETY COMMISSION.
4. ALL CONSTRUCTION SHALL CONFORM TO CITY OF GARDEN CITY PUBLIC WORKS STANDARDS.
5. CONTRACTOR SHALL PROPERLY PREPARE, PLACE, AND COMPACT ALL FILL MATERIAL IN ACCORDANCE WITH THE RECOMMENDATIONS OF THE ENGINEER AND THE TECHNICAL SPECIFICATIONS. COMPACTED OF ALL FILL MATERIAL SHALL BE TESTED BY A CERTIFIED TESTING LAB.
6. CONTRACTOR SHALL KEEP ALL PUBLIC ROADWAYS CLEAR OF MUD, DIRT, AND DEBRIS CREATED BY CONSTRUCTION ACTIVITIES. DUST SHALL BE CONTROLLED BY WATERING.



STANDARD DRAWINGS & SPECIFICATIONS

LOCAL RURAL ROADWAY SECTION

SEI

1-18-11

JJL

16

GARDEN CITY